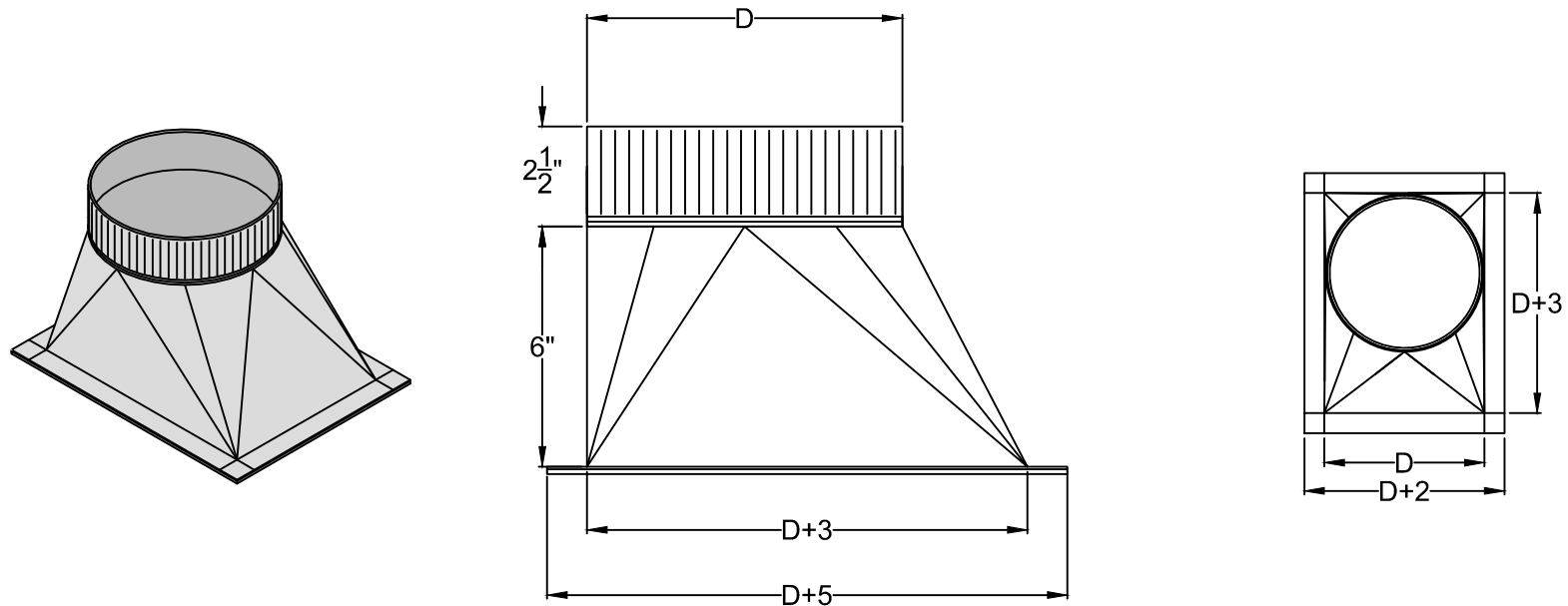


Boot take-off

#M26BoGaT



- Specifications:
- Galvanized Steel
 - 26 gage body
 - 1" stick-on gasket, $\frac{1}{8}$ " thick
 - Filled corners