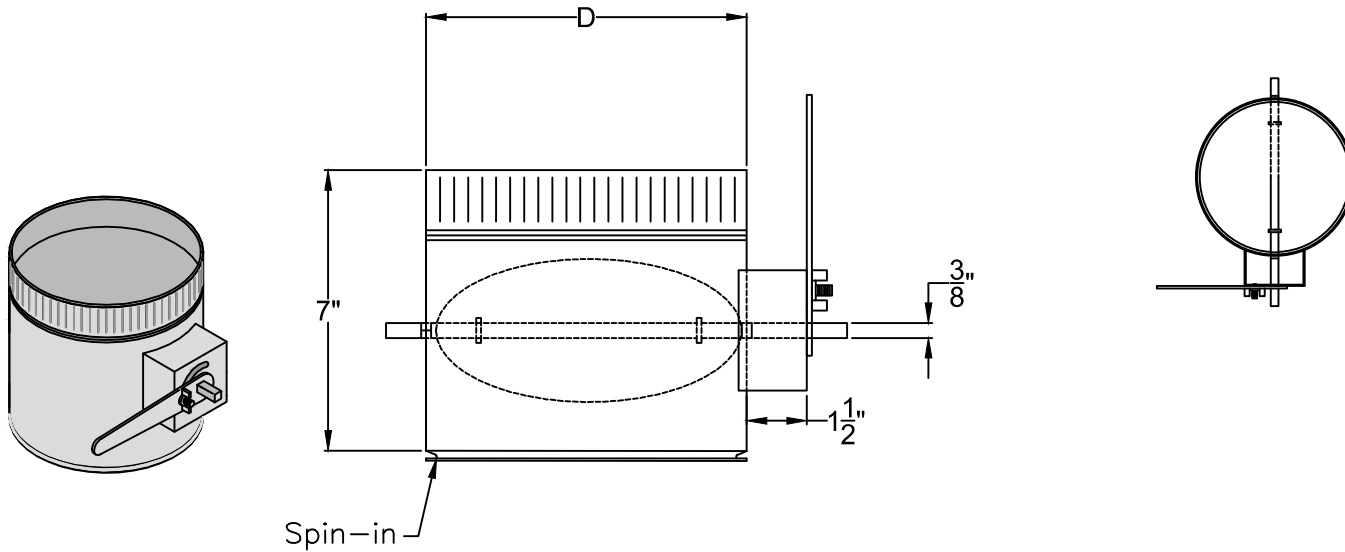


# Spin-in Damper

# #M2626SID



## Specifications:

- Galvanized Steel
- 26 gage body/26 gage blade
- Actuator with 1.5" stand-off
- 3/8" continuous rod (Aluminum)
- Nylon bushings
- Spin-in

