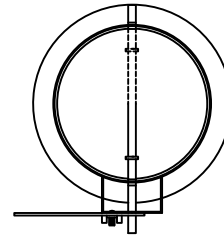
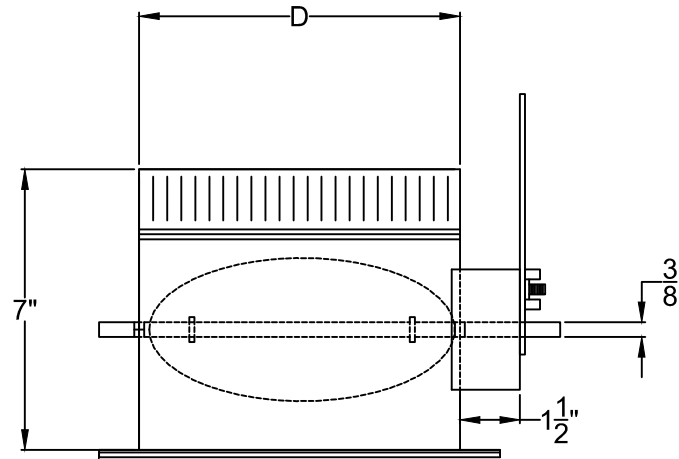
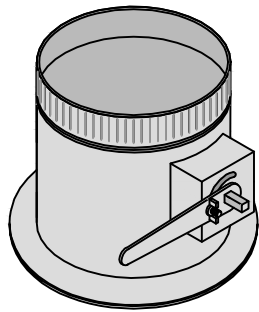


Take-off Damper

#M2626GaD



1" Stick
on Ring
1/8" thick

- Specifications:
- Galvanized Steel
 - 26 gage body/26 gage blade
 - Actuator with 1.5" stand-off
 - 3/8" continuous rod (Aluminum)
 - Nylon bushings
 - 1" stick-on ring, 1/8" thick

