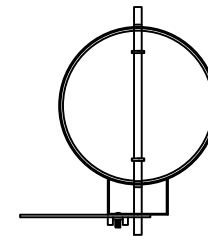
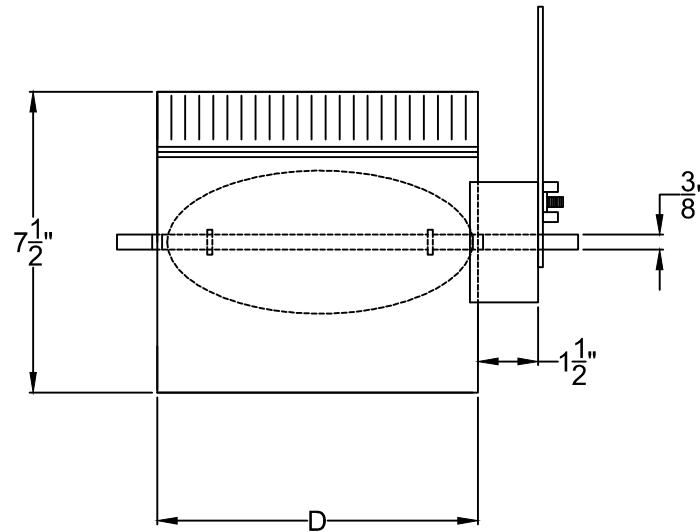
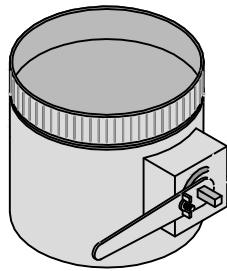


Inline Damper

#M2626FD



Specifications:

- Galvanized Steel
- 26 gage body/26 gage blade
- Actuator with 1.5" stand-off
- 3/8" continuous rod (Aluminum)
- Nylon bushings

