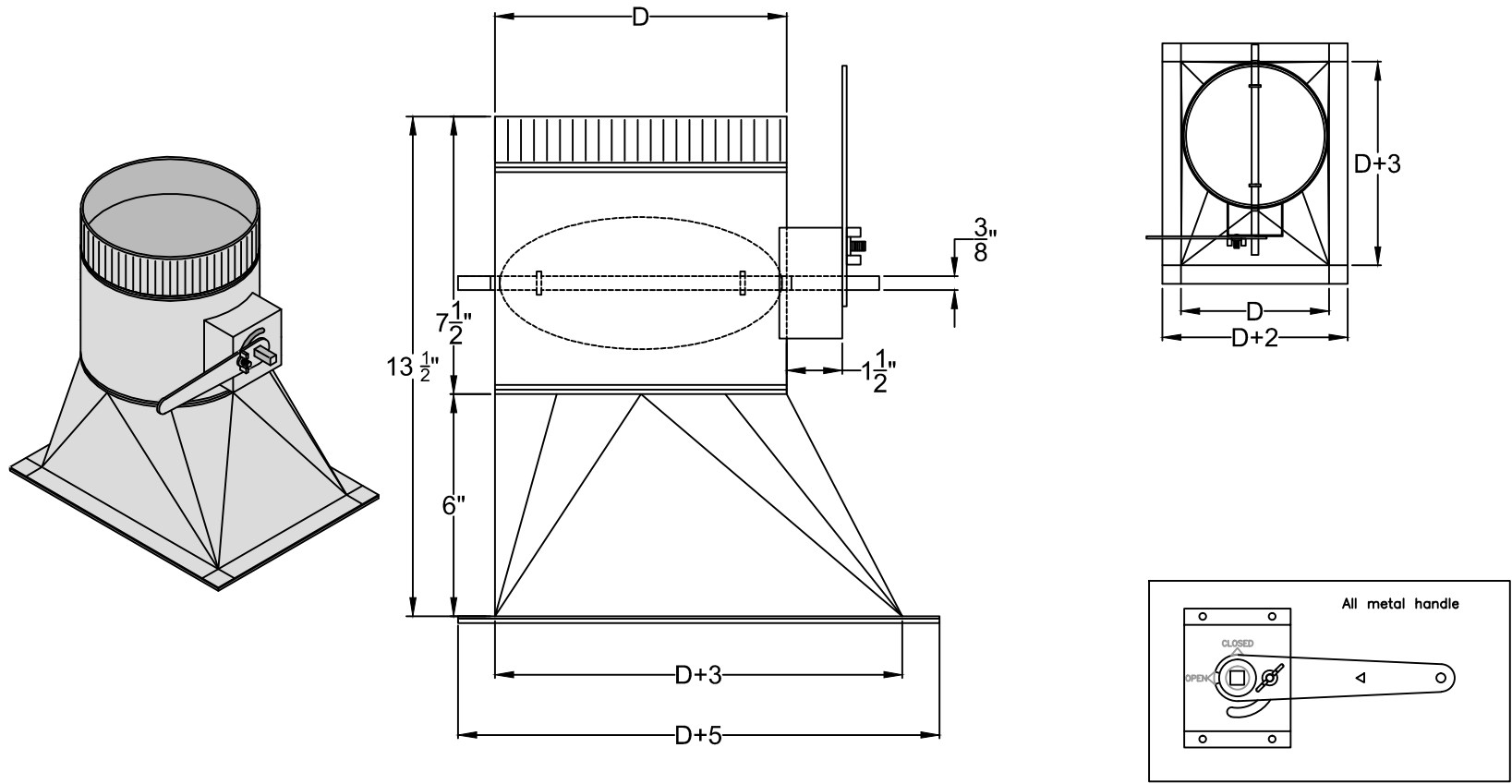


# Boot take-off Damper

# #M2626BoGaD



- Specifications:
- Galvanized Steel
  - 26 gage body/26 gage blade
  - 1" stick-on gasket, 1/8" thick
  - Actuator with 1.5" stand-off
  - 3/8" continuous rod (Aluminum)
  - Filled corners
  - Nylon bushings