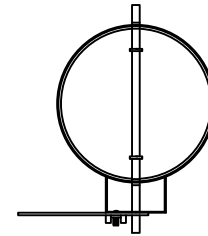
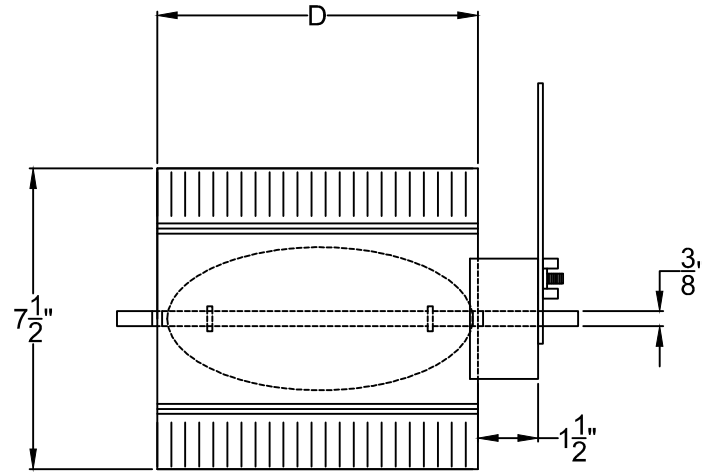
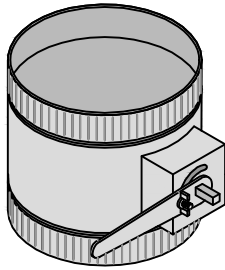


Inline Damper

#M2020MD



- Specifications:
- Galvanized Steel
 - 20 gage body/20 gage blade
 - Actuator with 1.5" stand-off
 - $\frac{3}{8}$ " continuous rod (Aluminum)
 - Nylon bushings

